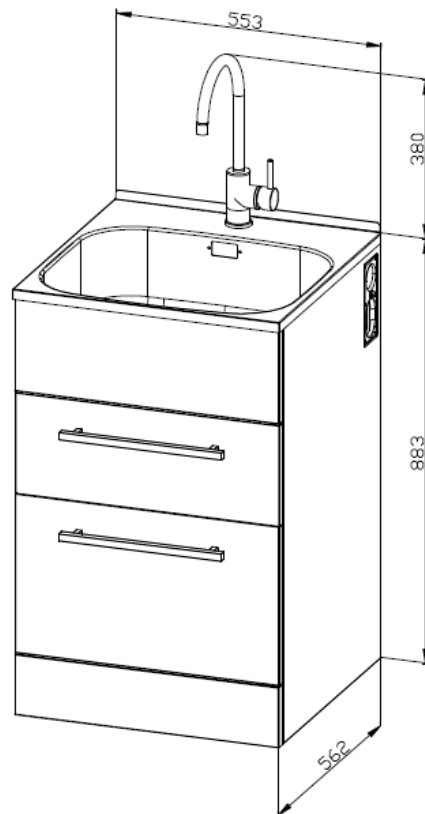


Description: **ROBINHOOD SUPERTUB DOUBLE DRAWER BLACK GOOSENECK MIXER TAP**

Model Number: **ST7003B**

## Typical design



## Features and benefits

### Features

- Waste basket
- Soft close runners
- Modern overflow design
- Improved rigidity
- Single lever Stainless Steel Gunmetal tap suitable for main water pressure
- Spacious double draws
- Brushed square Stainless Steel handles
- Seamless stainless steel tub
- Black powder coated galvanized steel cabinet
- Classic design
- Ceramic mixer head technology
- Side apertures for hoses
- Supporting levelling feet
- Hidden washing machine taps and shut-off valve
- Separate waste pipe for washing machine
- Improved plumbing components

### Benefits

- Prevents debris from falling into the drain
- Enables drawers to close silently and smoothly
- Keeps water contained inside the bowl
- Increased strength and performance
- Ease of operation
- Easy organization and storage access
- Gives a cleaner more contemporary and modern look
- Long lasting and easy to clean
- Corrosion resistant for long life
- Timeless good looks
- Easy control of water flow
- Easy access for washing machine connections and hides unsightly hoses
- Ensure stability on uneven surfaces
- Giving a cleaner, more aesthetically pleasing appearance
- Allows washing machine to empty when tub is full
- Tap is suitable for main water pressures

## Specifications

### Technical data:

- Cabinet - 0.6mm galvanized sheet metal, black powder coated. 24 months warranty
- Bowl – 0.8mm polished stainless steel bowl, 30 litre capacity. 5 years warranty
- Tap – Stainless Steel in gunmetal colour gooseneck tap. 24 months warranty
- Plastic parts - ABS UV (ultra violet sun protection)
- Waste plumbing connections - standard 40mm P trap supplied and installed.
- Water connections – 400mm long flexible braided hoses, supplied and installed.
- WELS rating 5 star rated (New Zealand): 5.5 litres per minute

**Nett Weight:** 30 kg

**Carton Weight:** 33.8 kg

**Carton Dimension (mm):** 585 x 630 x 970 (w x d x h)

**Volume (m3):** 0.358 m<sup>3</sup>

### Performance data:

- Designed and manufactured to perform in main water pressure situations
- See table below for examples of time taken to fill a 30 litre tub

Pressure (Psi)	Pressure (Kpa)	Flow Rate (L/min)	Time to fill 30 litre bowl (Minutes)
21	150	4.93	6.08
36	250	5.44	5.51
50	350	5.80	5.17
72	500	6.03	4.97

\* Tap was tested under main water pressures 150, 250, 350 and 500Kpa.

How to measure your water flow in your home. (measuring jug, watch)

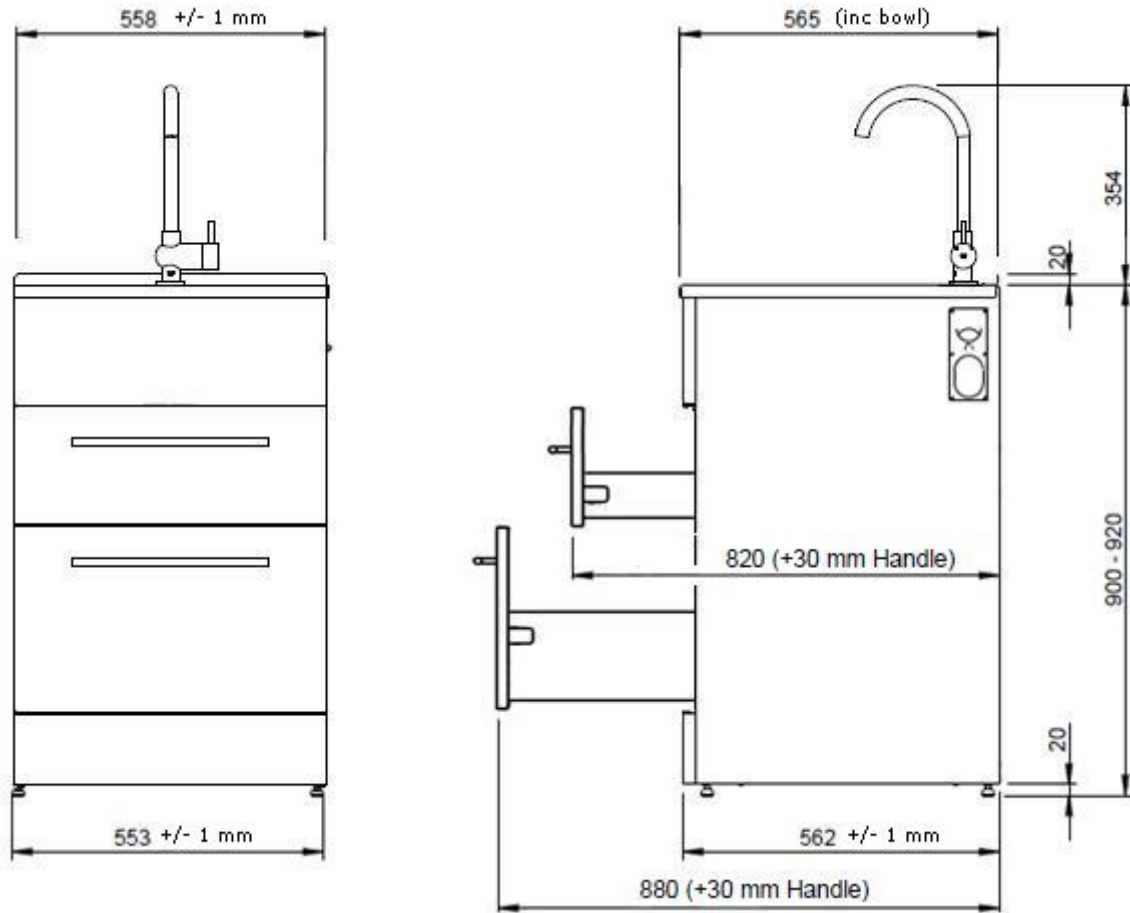
Place a one litre measuring jug under the faucet, with your watch ready open the cold water, when the jug is full confirm the time on the watch in seconds. Multiply this number by 30 for a 30 litre bowl.

Example 1 litre jug fills in 8 seconds x 30 litres = 240 seconds divide by 60 for minutes equals 4 minutes  
Approx 65 Psi.

Example 1 litre jug fills in 12 seconds x 30 litres = 360 seconds divide by 60 for minutes equals 6 minutes  
Approx 20 Psi.

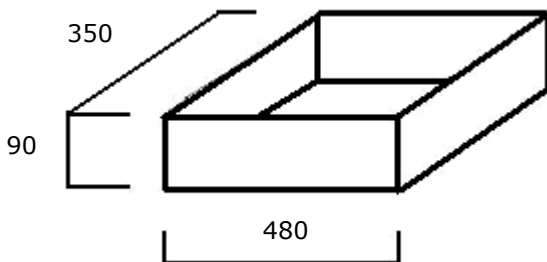
Repeat for the hot water, if the results are the same it will confirm that the pressure is equal.

## Plan view Dimensions

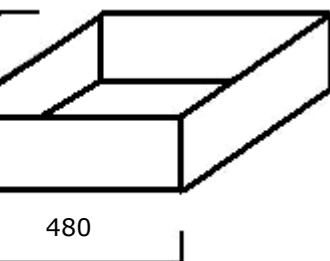
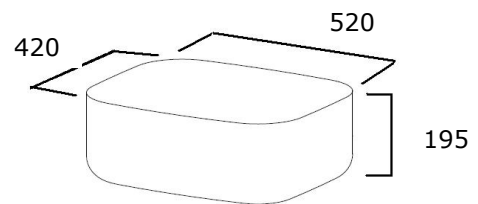


## Drawer and Bowl Dimensions

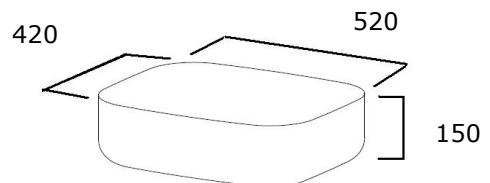
Top Drawer



The tub detail to the top of the tub volume is 38 litres

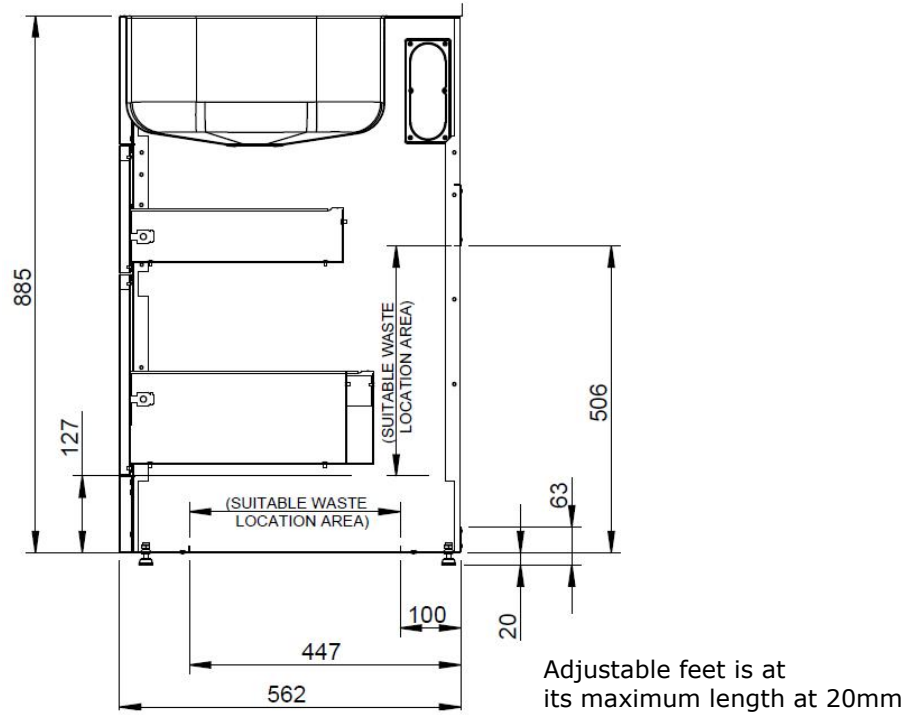


The detail to the bottom of the overflow volume is 30 litres

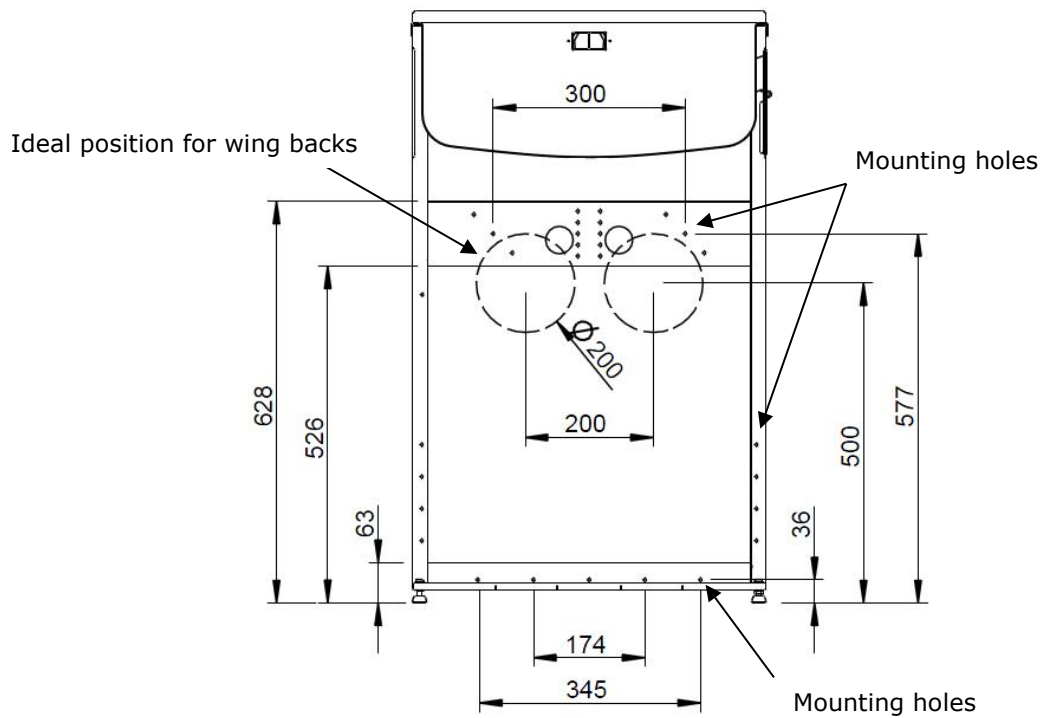


Bottom Drawer

## Fit Out Detail Side View



## Fit Out Detail Front View



### New Zealand

Monaco Corporation Ltd  
 Telephone: (09) 415 6000  
 Facsimile: (09) 415 7400  
 Email: [enquiries@robinhood.co.nz](mailto:enquiries@robinhood.co.nz)  
[www.robinhood.co.nz](http://www.robinhood.co.nz)

### Australia

Shriro Australia Pty Ltd  
 ABN 28 002 386 129  
 Telephone: 1800 648 556  
 Facsimile: 1800 628 577  
 Email: [enquiries@robinhood.com.au](mailto:enquiries@robinhood.com.au)  
[www.robinhood.com.au](http://www.robinhood.com.au)