

## HUB TUB 350mm Slim Drawer

LEVAQPWTUBSLDR

### Features:

- Robust powder-coated, galvanised steel cabinet (up to 30% thicker than other cabinets on the market)
- Pressed, seamless laundry tub with an anti-drip lip
- All-pressure single lever mixer
- Recessed metal drawer handles
- Full extension quality drawer runners

### Specifications:

- Hot and cold isolators with dual capped outlets 15 and 20mm
- Designer overflow capacity, greater than 25 litres/minute.
- WELS Water Efficiency (Mains Pressure): 3 star rated.
- Water Consumption (Mains Pressure): 9 litres per minute.

### Colour:

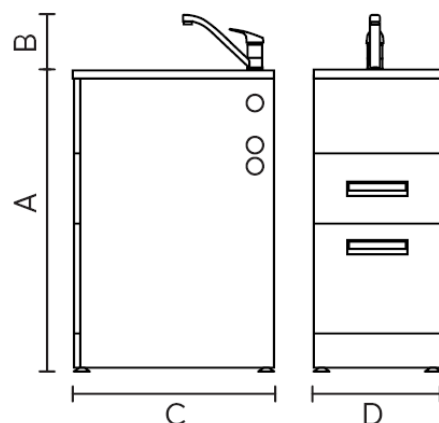
- White/Stainless Steel

### Size

- A = 935-950mm
- B = 165mm
- C = 560mm
- D = 350mm

### Warranty:

- 5 years on cabinet and tapware\*
- Lifetime on stainless steel bowl



\*Warranty shown applies to residential use only. Commercial use warranty may differ.

ACCESSORIES, WASTES AND TAPWARE NOT INCLUDED UNLESS STATED. PLEASE NOTE MEASUREMENTS ARE NOMINAL ONLY. PLEASE MEASURE PRODUCT ON SITE