

ASPEN

Toilet Roll Holder

LEVP02OSS

Features:

- Modern round design
- Solid construction

Specifications:

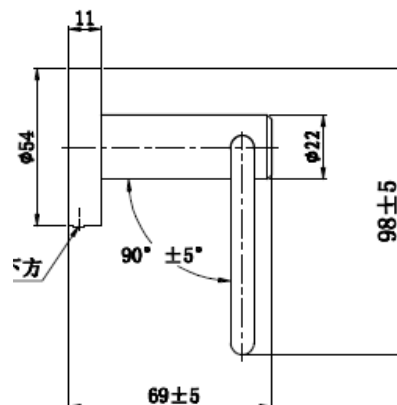
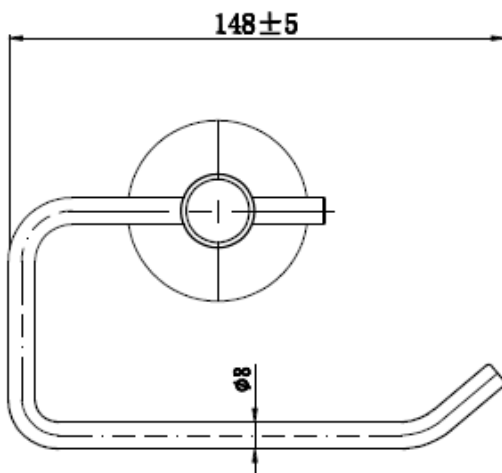
- Polished stainless steel construction

Colour:

- Stainless Steel

Warranty:

- 7 years



ACCESSORIES, WASTES AND TAPWARE NOT INCLUDED UNLESS STATED. PLEASE NOTE MEASUREMENTS ARE NOMINAL ONLY. PLEASE MEASURE PRODUCT ON SITE