

LE·VIVI

TECHNICAL DATA SHEET

ASPEN

Single Lever Basin Mixer- Pin Handle (Mains Pressure)

LEVPF1071SS

Features:

- Solid brushed Stainless Steel
- Lead free body
- Ceramic cartridge technology
- Functional design
- Mains pressure



Specifications:

- 304 Stainless Steel
- 35mm cartridge (WMKA25232)
- 5-Star WELS rating (Av flow 5.13l/ min)
- Min working pressure (150KPA)
- Max working pressure (1000kpa)
- Recommended working pressure (500kpa) as per AS/NZS3500 (Fitted with PLV)

Spare Parts:

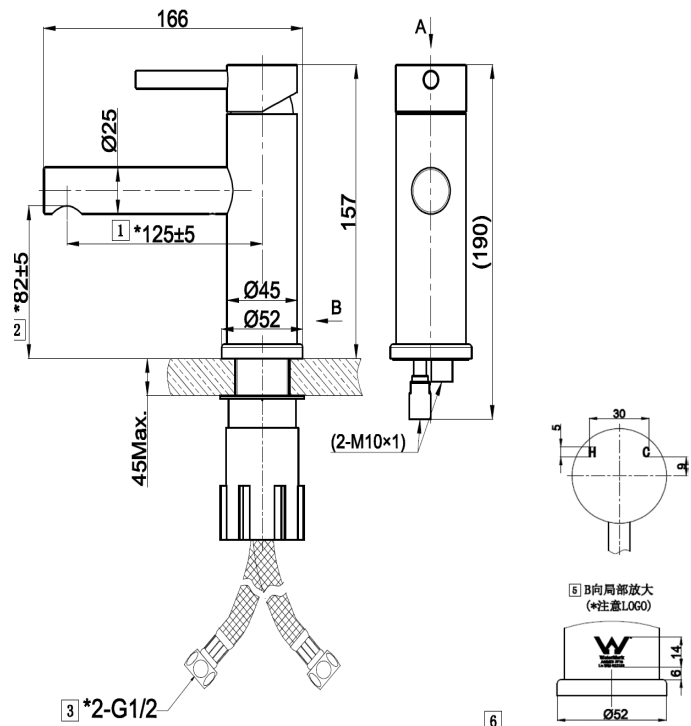
- LEVY150500130 (Cartridge)

Colour:

- Stainless Steel

Warranty:

- Lifetime warranty tap body
- 5 year warranty on cartridge



ACCESSORIES, WASTES AND TAPWARE NOT INCLUDED UNLESS STATED. PLEASE NOTE MEASUREMENTS ARE NOMINAL ONLY. PLEASE MEASURE PRODUCT ON SITE