

LE·VIVI

TECHNICAL DATA SHEET

MARBELLA Wall Hung Vanity

LEVMAR800WH

Features:

- 50mm polymarble top
- Double drawer
- Full extension runners
- Soft close drawers
- Integrated recess for finger pull opening
- Brushed chrome recess detail

Specifications:

- One taphole
- Chrome overflow
- E1 moisture resistant board

Colour:

- Gloss White

Parts:

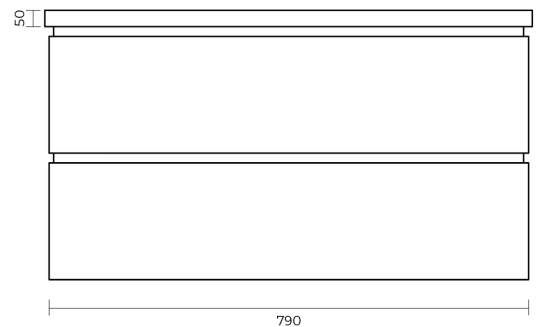
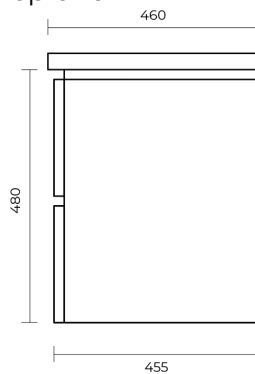
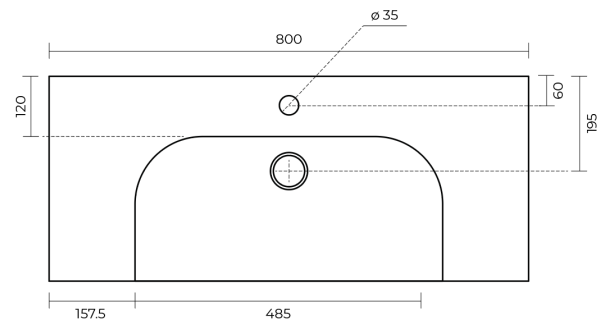
- LEVMAR800STWH (Polymarble top)

Size

- 800mm

Warranty

- 7 year warranty on Polymarble top and
5 year warranty on cabinet



ACCESSORIES, WASTES AND TAPWARE NOT INCLUDED UNLESS STATED. PLEASE NOTE MEASUREMENTS ARE NOMINAL ONLY.
PLEASE MEASURE PRODUCT ON SITE. ACTUAL COLOURS MAY VARY