

LUISA Towel Ring

LEV7205

Features:

- Fixed towel ring
- Modern square design
- Solid construction

Specifications:

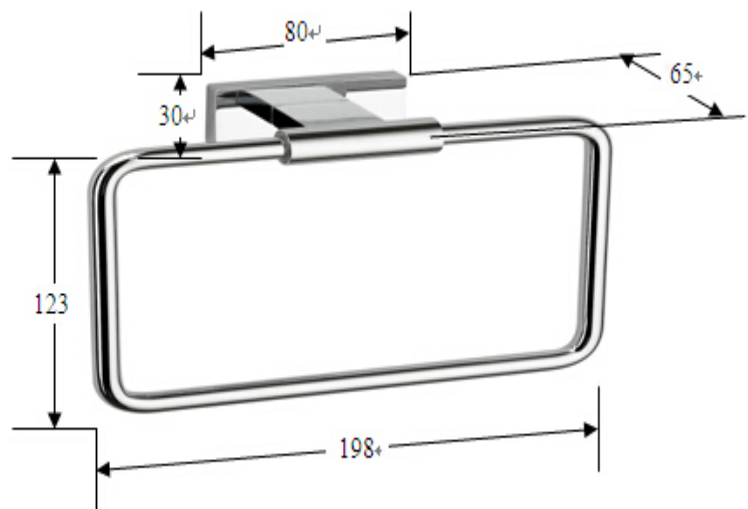
- Chrome on brass construction

Colour:

- Chrome

Warranty:

- 5 years



ACCESSORIES, WASTES AND TAPWARE NOT INCLUDED UNLESS STATED. PLEASE NOTE MEASUREMENTS ARE NOMINAL ONLY. PLEASE MEASURE PRODUCT ON SITE