

Rinnai Energysaver 309FT

Features Suitable for Compare Technical

Colour

White

Input

5.8-13 MJ/h

Output NG

1.2-2.9 kW (short flue)
1.2-3.1 kW (long flue)

Output LPG

1.2-2.8 kW

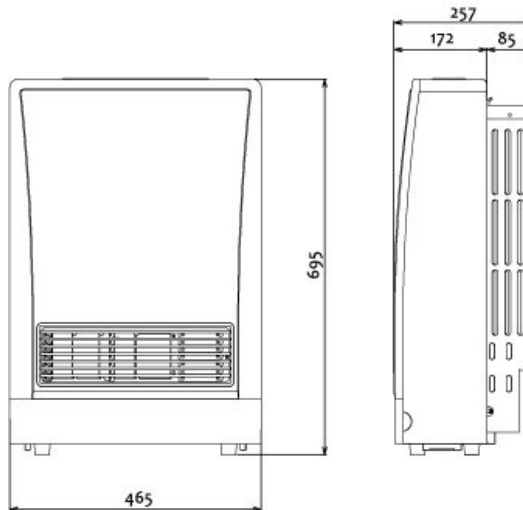
Efficiency

83%

Energy Star Rating



Burner	Stainless steel bunsen burner
Description	High efficiency forced flue convection heater supported by electronic timers
Data plate	Lower bottom panel, left hand side
Electrical supply	230 V 50 Hz with supply cord and 3-pin plug
Fan	Centrifugal drum type fan
Gas connection	15 mm BSP male thread
Gas control	Rinnai electronic modulating gas control valve
Humidifier tray capacity	0.7 L
Ignition	Direct continuous spark electronic ignition—no pilot
Noise level	31-38 dB(A)
Power consumption	Approx. 41 W (on high), < 1 W on standby
Safety devices	Overheat switch, fusible link, flame failure device, electrical fuse, and power failure
Temperature range	16-26 °C by 1 °C increments
Weight	21 kg
Compliance	ES: Supplier Declaration of Compliance • Declaration Number: 1408020132 • Certificate Number: 5209
Market release	2010



Product technical statement



Operation and installation guide



Flue installation guide



Mushroom flue kit installation



ESBEND Installation



Spares