

Rinnai INFINITY® HD200 External

Features Suitable for Compare Technical Accessories CAD/BIM

Colour

Silver

REU number: REU-VRM2632WC
 Factory preset temperature: 75 °C
 Rinnai product code: INFHD200HNCN/ INFHD200HNCL

Input

199 MJ/h or 55 kW

Capacity

Hot water capacity: 2.4 to 30 litres per minute
 Nominal water capacity: 26 litres per minute at a 25 °C rise (1560 L/h)
 Nominal water capacity: 16.4 litres per minute at a 40 °C rise (984 L/h)

Output

47 kW

Connections

Hot water outlet: R $\frac{3}{4}$ (20 mm)
 Cold water inlet: R $\frac{3}{4}$ (20 mm)
 Gas supply: R $\frac{3}{4}$ (20 mm)

Efficiency

82%

Exhaust system

Forced flue

Frost protection

Fitted as standard.
 Frost protection operates automatically, as long as the appliance is connected to the electrical power supply, by activating when the temperature inside the unit drops below 3.5 °C, and turns off once the temperature inside the unit reaches 7 °C.

Energy Star Rating



Ignition system

Direct electronic ignition

Injector size

NG: 1.25, 1.95, LPG: 0.75, 1.15

Ingress protection rating

IPX4

Line pressure (min.)

NG: 1.0 kPa, LPG: 2.0 kPa

Line pressure (max.)

3.5 kPa (maximum standing pressure under abnormal intermittent conditions is 5.0 kPa). In the case of commercial metering (i.e. 35-37 kPa coming in), there may be a requirement to regulate the incoming line pressure down.

Noise level

50 dB(A)

NO_x af

less than 60 ppm

Power consumption

Normal: 48 W (NG) and 60 W (LPG), Standby: 2 W, Automatic Frost Protection: 100 W

Safety devices

Flame failure, boil-dry protection, overheat protection (OHS), fusible link, pressure relief valve, combustion fan rpm check

Water supply

Nominal operating pressure: 130-1000 kPa
 Minimum water flow: 2.4 litres per minute

Weight

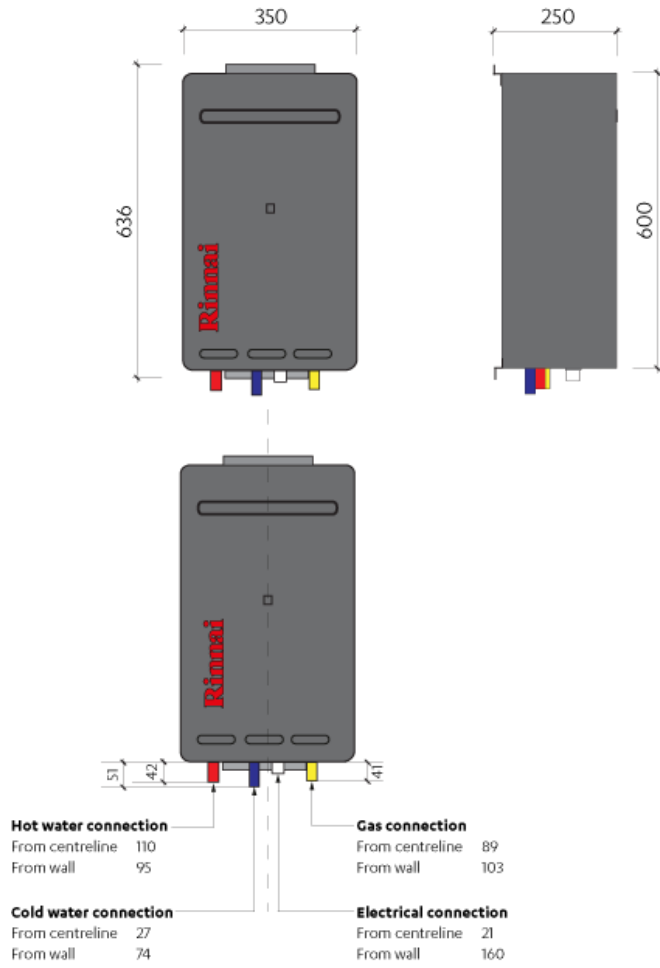
21 kg

Market release

- first launched 2010
- relaunched 2011

Compliance

- ES: Supplier Declaration of Compliance
- Declaration Number: [12410201012](#)
 - Certificate Number: 6330



Product technical statement



Operation guide



Installation guide



Servicing schedule



Manifolding



Spares

People who bought this, also got:



Bathroom Deluxe Controller

RRP \$253.00

[View product details](#)



Compact Controller

RRP \$158.00

[View product details](#)



Kitchen Deluxe Controller

RRP \$253.00

[View product details](#)



Rinnai INFINITY® Pipe Cover

RRP \$206.00

[View product details](#)