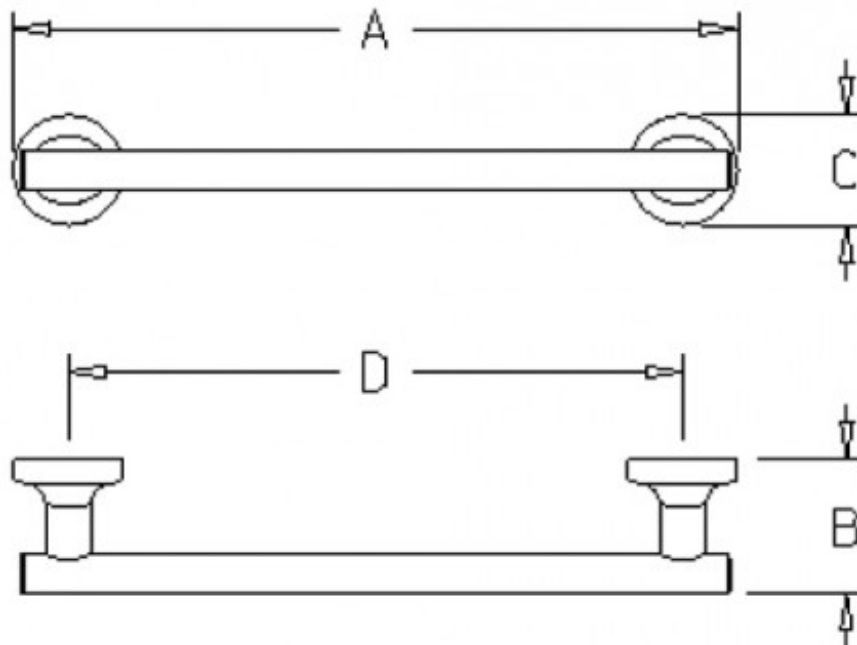


## EUROPA PLUS TOWEL RAIL 660 CHROME

ELEMENTI

60314.02

\$116.00



A - 660mm

B - 61mm

C - 50mm

D - 610mm

10

Guarantee

10 Year Guarantee



Residential/Light  
Commercial

Suitable for residential use.



Galvanic Plating  
Process

CHROME: Galvanic plating process. Covering with 0,3 – 0,4 microns chrome average. Items are tested as per Norm En 246 with salt spray chamber – 240 hours (equivalent to 6 years)



Made in Spain



The Europa Plus range offers a wide range of unique bathroom accessories completed with a high quality chrome finish.