

TOTO®

TOTO

BATH FILLER

TECHNICAL DATA SHEET

TX494SELVBRNZ



Features:

- Floor -standing single lever bath filler
- Specifically designed for free-standing baths

Specifications:

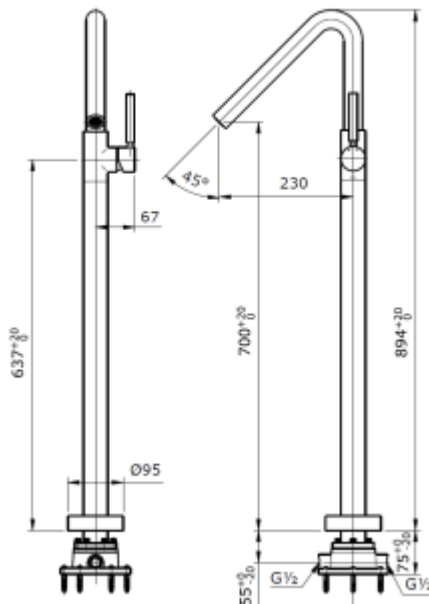
- Mains pressure only
- Supplied with capping flange

Parts Description:

- MC35B (Cartridge)
- S61029 (Handle grub screw)

Colour:

- Chrome



**PLEASE NOTE MEASUREMENTS ARE
NOMINAL ONLY.
PLEASE MEASURE PRODUCT ON SITE**