

TOTO®

TOTO

BATH FILLER WITH HAND SET

TECHNICAL DATA SHEET

TX494SELBRNZ



Features:

- Floor-standing single lever bath filler with hand set
- Specifically designed for freestanding baths

Specifications:

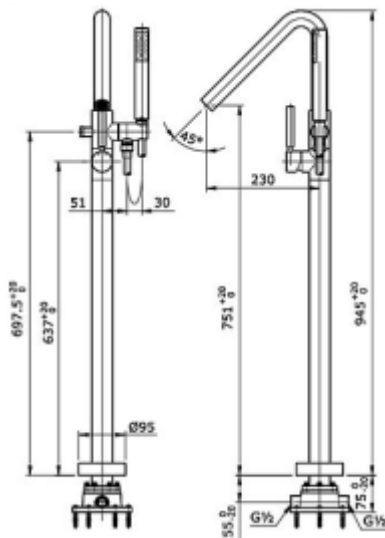
- Mains pressure only
- Supplied with capping flange
- WELS 3-star (7l/min)

Parts Description:

- MC35B (Cartridge)
- S61029 (Handle grub screw)
- A0905 (Hand shower)
- P37909 (Hose)

Colour:

- Chrome



PLEASE NOTE MEASUREMENTS ARE NOMINAL ONLY. PLEASE MEASURE PRODUCT ON SITE

