

TOTO®

VALDES

S-TRAP DISABLED TOILET SUITE

TECHNICAL DATA SHEET

TOT-DISSET'WH



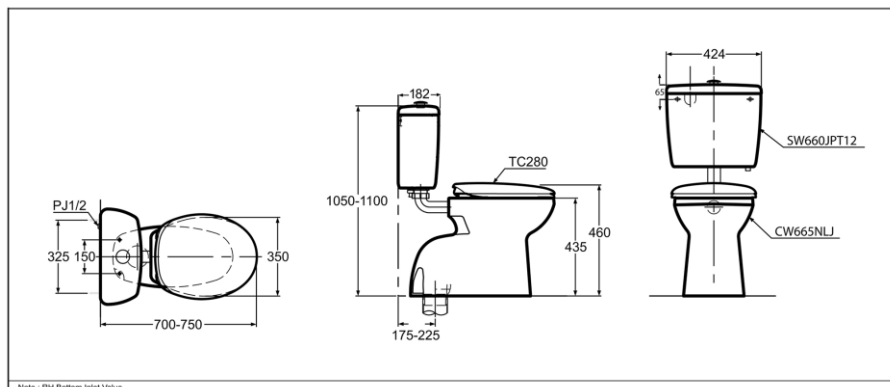
Features:

- Dual flush cistern (raised button)
- 4.5/3L water saving cistern
- Left or right bottom entry
- 4 -star WELS rating
- Supplied with extended flush pipe
- Duraplast seat and S/S hinge

Specifications:

- Wash-down, dual flush
- 4.5/3L cistern flush
- 175mm – 225mm S-trap set-out
- Raised dual flush cistern button (A3631)
- **460mm high pan & seat**
- R/H bottom entry inlet (standard)
- **Important:** Further reference must be made to NZS 4121:G1 with current amendments to determine circulation space, grabrail and installation requirements. The dimensions in this sheet may change with amendments to the standard.

CW 665 NLJ / SW 660 JPT12



Parts Description:

- CW665NLJ (S- pan only)
- SW660JPT12-660-81P-2 (cistern only)
- TC280 (S/S seat only)
- PFP50 (extended flush pipe)
- 222.100.00.01 Geberit inlet valve
- 222.241.00.1 Geberit outlet valve
- A3631 (Raised height disabled button)

Colour:

- White

**PLEASE NOTE MEASUREMENTS ARE
NOMINAL ONLY.
PLEASE MEASURE PRODUCT ON SITE**