

TOTO

SINTRA

TECHNICAL DATA SHEET



WALL-HUNG BASIN AND SEMI PEDESTAL

TOT-SIN500'WH1 /TOT-SINPED-WH



Features:

- Rear overflow
- Enclosed semi pedestal
- 2 x soap dishes

Specifications:

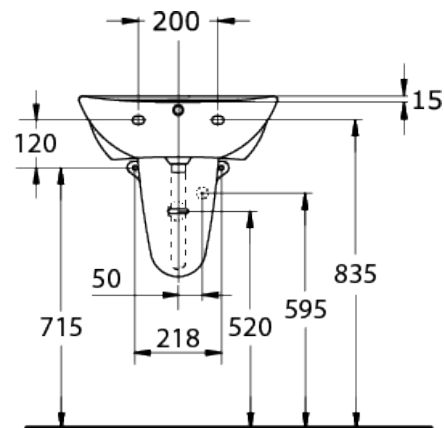
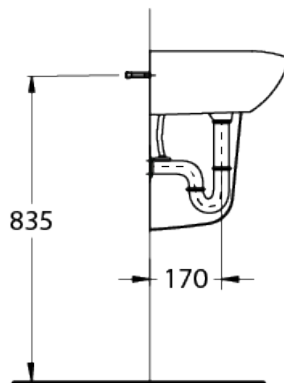
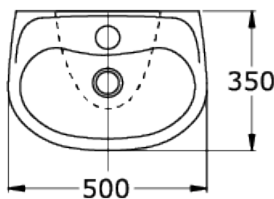
- Chrome overflow
- Basin 500 X 350mm
- Shroud 200mm wide
- 32mm waste hole
- Can be installed to be compliant with NZS4121:2001 Design for Access and Mobility
- 10 year warranty

Parts Description:

- LW240CJW/F-2
- TX710LV1 Fixing Kit
- LW240HFJW/FS (Shroud)
- TA2SV1 Fixing Kit

Colour:

- White



PLEASE NOTE MEASUREMENTS ARE NOMINAL ONLY. PLEASE MEASURE PRODUCT ON SITE. TAPWARE NOT INCLUDED