

# TOTO

## SINTRA 500 WALL-HUNG BASIN/SEMI-PEDESTAL Installation Instructions

PLEASE READ CAREFULLY BEFORE  
INSTALLATION



### IMPORTANT

Provide suitable reinforcement behind finished wall for the basin and semi-pedestal Fixing Kits at the specified height position.

### Roughing in for Wall Hung Basin/Lavatory:

For timber stud walls, noggins and studs must be positioned at a height to allow for the location of fasteners, as detailed in Fig. 1.

When installing a shroud, position water inlet connections, as detailed in Fig. 1.

### INSTALLATION WITHOUT PEDESTAL USING FIXING KIT

1. Mark fixing screw hole position on finished wall at the recommended height as detailed in Fig. 1.
2. Drill two  $\text{\O}12\text{mm}$  ( $1\frac{1}{2}$ " ) holes in masonry or plaster board wall for expansion fasteners. For timber stud walls drill two  $\text{\O}8\text{mm}$  ( $\frac{3}{8}$ " ) holes for Fixing Screws.
3. Insert expansion fasteners into the drilled holes in masonry or plaster board wall. Screw fixing screws into the wall using the flats located on the screws section of the stud and spanner as shown in Fig. 2. Allow 50mm ( $2$ " ) of thread to protrude from the finished wall.
4. Fit taps/faucets and waste/drain assembly to the basin.
5. Locate basin/lavatory onto the Fixing Screws on the wall. Insert plastic bushes, metal washers and fasten to wall with fixing nut.
6. The Plastic Bush allows for levelling adjustment if required by rotating the hexagonal head bush, the basin will be slightly raised or lowered.
7. Tighten fixing nuts and connect plumbing to complete the installation.

### SEMI-PEDESTAL INSTALLATION

For installations using the Fixing Kit, locate fixing point on wall as per Fig. 1. Semi-pedestal fixing points are 120mm below basin fixing points, 109mm left & right of basin centre line.

1. **For masonry or plaster board walls**, drill 8mm hole for semi-pedestal fixings.
2. **For timber walls**, drill 4mm hole for semi-pedestal fixings.
3. Insert expansion fasteners into the drilled holes in masonry or plaster board wall. Screw fixing screws into the wall using the flats located on the screws section of the stud and spanner as shown in Fig. 2. Allow 50mm ( $2$ " ) of thread to protrude from the finished wall.

### Toto Sintra 500 Wall-Hung Basin/Semi-Pedestal Fixing Kit

Fixing Kit Hole  
Centre Positions

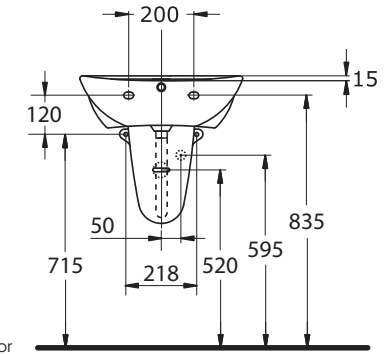
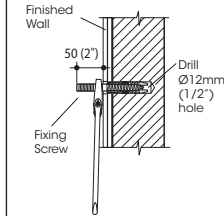
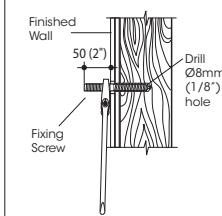


Fig. 1

### Fixing Screw Masonry or Plaster Board Walls Installation



### Fixing Screw Timber Stud Walls Installation



### Basin Fixing Kit

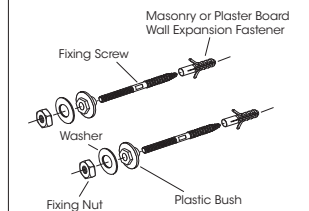


Fig. 2



Can be installed to be compliant with  
NZS4121:2001 Design for Access and Mobility

All measurements are subject to accepted manufacturing tolerances. To ensure accuracy, please check actual product dimensions before drilling for installation. The manufacturer reserves the right to change specifications at any time without giving prior notification. This product should be installed by a qualified plumber. Local authority, Water Board and Building Regulations may apply to the installation of this product, and you should consult the appropriate bodies on these requirements.

exclusive to  
plumbingworld