

MARBELLA Freestanding Bath

LEVMB16X8

Features:

- Twin skin construction
- 30mm top edge construction
- Oval/Round shape
- Fibreglass and board reinforced base
- 4 independent leveling feet
- Centre waste

Specifications:

- Lucite European sanitary grade acrylic
- 250 litre capacity
- Internal depth 425mm

Colour:

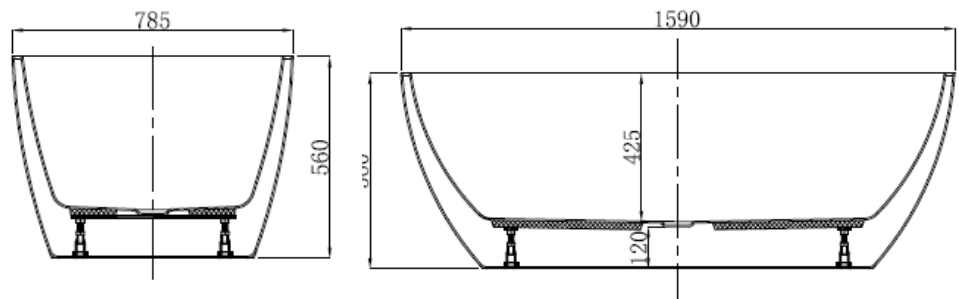
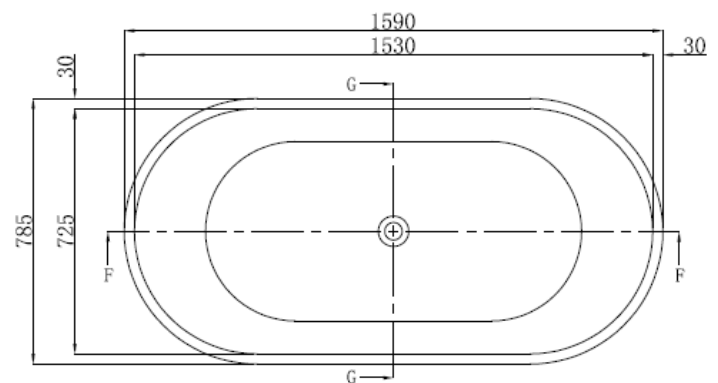
- White

Size:

- 1590 x 785 x 560mm

Warranty:

- 10 years



ACCESSORIES, WASTES AND TAPWARE NOT INCLUDED UNLESS STATED. PLEASE NOTE MEASUREMENTS ARE NOMINAL ONLY.
PLEASE MEASURE PRODUCT ON SITE. ACTUAL COLOURS MAY VARY