

HUB TUB

900mm Drawer

LEVAQPWTUB900

Features:

- Pressed, seamless laundry tub with an anti-drip lip
- All pressure single lever mixer
- Full extension quality drawer runners on lower drawer
- Includes 2 storage buckets
- Hot and cold isolators with dual capped outlets 15 and 20mm
- Height easily adjustable via feet (~15mm)



Size:

- 900mmW x 925mmH x 575Dmm

Warranty:

- 5 years on cabinet and all pressure mixer
- 20 years on stainless steel bowl and ceramic cartridge

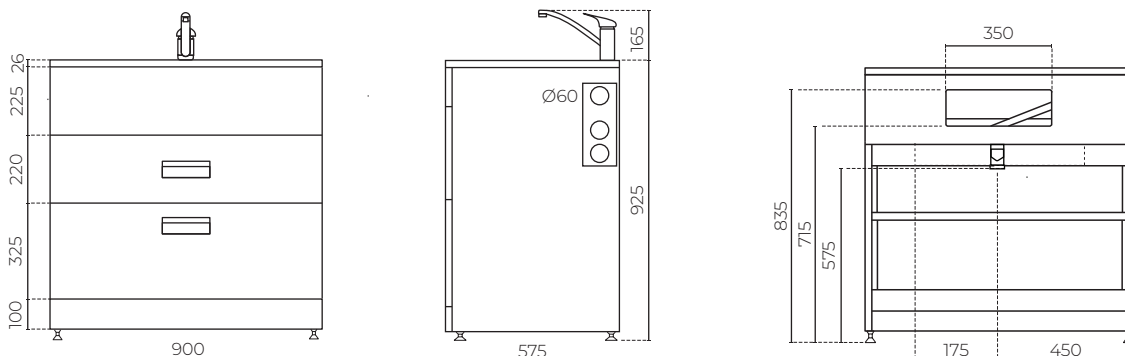
Colour:

- White

Colour Options



White
Code: WW



Accessories, wastes and tapware not included unless stated. Please note measurements are nominal only, please measure product on site. Actual colours may vary