

## CABRIS 900 Round Moulded Wall Shower Enclosure – Polished

### LEVCA9X2RMWPOL

#### Features:

- Twin sliding doors
- Dual quick release rollers
- Moulded side wall
- Extra height (1860mm door)
- Complete with glue, silicone & waste trap
- Centre waste

#### Specifications:

- 900mm x 900mm
- European sanitary grade acrylic
- 35mm tray upstand
- Left or Right hand moulding
- Safety glass AS/NZS 2208:1996

#### Parts Description:

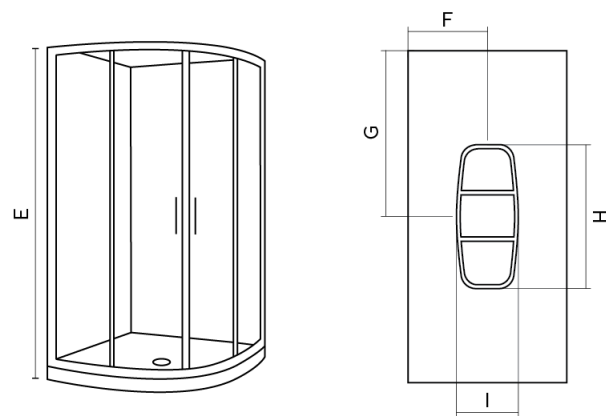
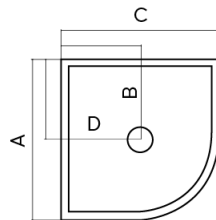
- LEVNL2142N9POL (Doors)
- LEVWL92SMW (Wall)
- LEVAUR90 (Tray)
- LEVGP2 (Glue pack)
- LEVGD6 (Trap)

#### Colour:

- Polished/Clear Glass

#### Size:

A = 900mm	B = 450mm
C = 900mm	D = 450mm
E = 1940mm	F = 450mm
G = 930mm	H = 790mm
I = 340mm	



#### Warranty:

- 10 years on Acrylic walls, tray and doors
- 2 years on shower seals

ACCESSORIES, WASTES AND TAPWARE NOT INCLUDED UNLESS STATED. PLEASE NOTE MEASUREMENTS ARE NOMINAL ONLY. PLEASE MEASURE PRODUCT ON SITE