

LE·VIVI

TECHNICAL DATA SHEET

MILAN Shower Mixer

LEVMILSMMPCP | LEVMILSMMPBK

Features:

- Chrome plated (chrome) or powder coated (black) DR brass
- Pin lever handle
- Ceramic cartridge technology
- Mains pressure

Specifications:

- 35mm cartridge
- 100mm faceplate
- Min working pressure 150kPa
- Max working pressure 1000kPa
- Recommended working pressure (500kPa) as per AS/NZS3500 (Fitted with PLV)

Spare Parts:

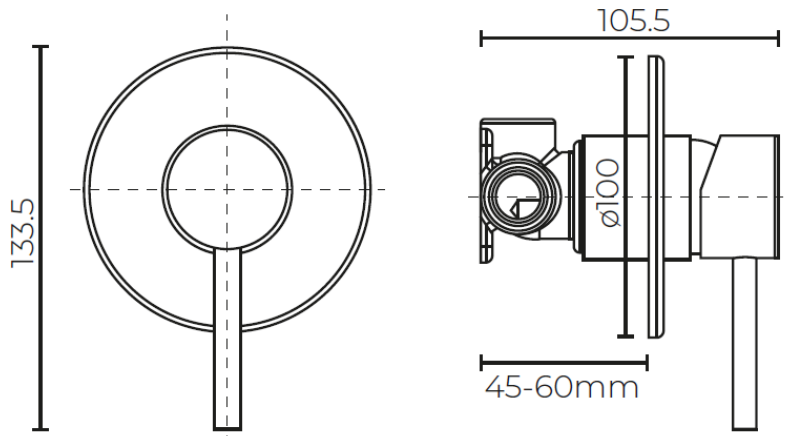
- LEVEM35BK1CART (Cartridge)
- LEVMILHANDLE (Handle)
- LEVMILGRUBS (Grub screw)

Colour:

- Chrome or black

Warranty:

- 10 years on chrome
- 2 years on black
- 5 years on cartridge



ACCESSORIES, WASTES AND TAPWARE NOT INCLUDED UNLESS STATED. PLEASE NOTE MEASUREMENTS ARE NOMINAL ONLY. PLEASE MEASURE PRODUCT ON SITE